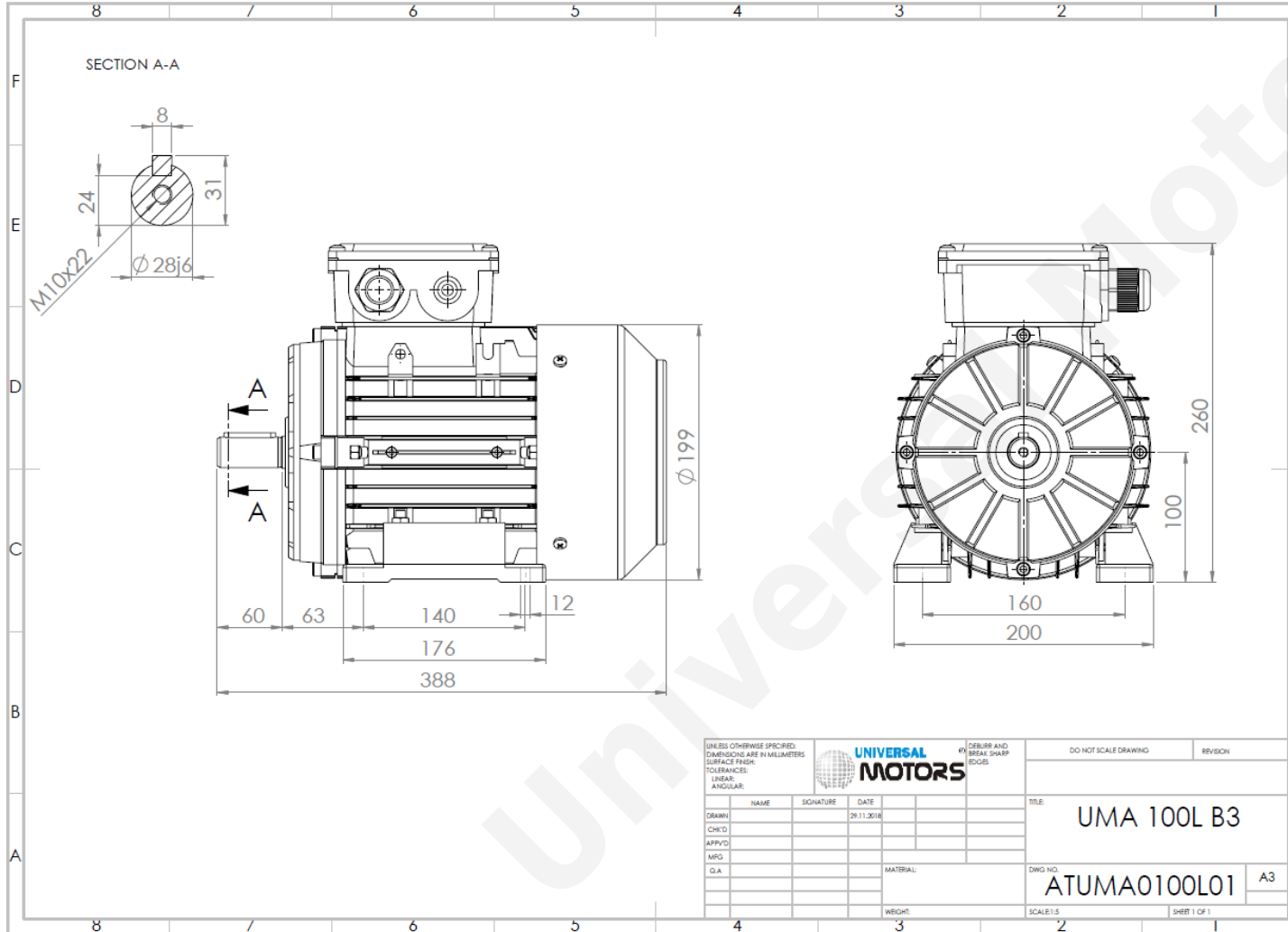




# TECHNICAL DATA

Three Phase Electric Motors - Aluminum Frame  
 UM3A 100L2-4 IE3  
 3 kW / 4 Cv  
 1450 RPM



Motor type:	<b>UM3A 100L2-4 IE3</b>
Output:	<b>3 kW / 4 Cv</b>
Speed (min <sup>-1</sup> ):	<b>1450 RPM</b>
Frequency:	<b>50 Hz</b>
Voltage:	<b>400 V</b>
Current:	<b>6.33 A</b>
Power factor (Cos Ø):	<b>0.78</b>
Poles:	<b>4</b>
Insulation class:	<b>F</b>
Temperature rise Class:	<b>B</b>
Efficiency 50%:	<b>86.9 %</b>
Efficiency 75%:	<b>88.0 %</b>
Efficiency 100%:	<b>87.7 %</b>
Torque:	<b>19.8 N.m</b>
Tstarting/Tnominal:	<b>3.3</b>
Istarting/Inominal:	<b>8.1</b>
Tmaximum/Tnominal:	<b>3.4</b>
Noise:	<b>64 Db(A)</b>
Weight:	<b>28.3 Kg</b>
Brake AC:	<b>AC5</b>
Torque Brake DC:	<b>32 N.m</b>
Bearing DE:	<b>6206 2Z</b>
Bearing NDE:	<b>6206 2Z</b>
Torque Brake AC:	<b>40 N.m</b>
Brake DC:	<b>REB-05-12</b>

UNLESS OTHERWISE SPECIFIED: DIMENSIONS ARE IN MILLIMETERS SURFACE FINISH: TOLERANCES: LINEAR: ANGULAR:				UNIVERSAL MOTORS		#1 DEBURR AND BREAK SHARP EDGES		DO NOT SCALE DRAWING		REVISION	
DRAWN	NAME	SIGNATURE	DATE					TITLE:		UMA 100L B3	
CHK'D			29.11.2018					DWG NO.:		ATUMA0100L01	
APP'VD								SCALE:		1:1	
MRG								SHEET:		1 OF 1	
Q.A.								MATERIAL:		A3	
								WEIGHT:			

Regime - S1

Altitude - 1000m

Environment Temperature - 40°C

## CONTACTS:

UNIVERSAL MOTORS Tel: +351 252 299 080  
 Rua de São Brás,745 Fax: +351 252 299 089  
 4480-782 VILA DO CONDE Mail: [geral@universalmotors.pt](mailto:geral@universalmotors.pt)

\* References applied only in the UK